



INTERNATIONAL APPLICATION PUBLISHED UNDER THE PATENT COOPERATION TREATY (PCT)

(51) International Patent Classification ⁶ : A62D 3/00, A24B 15/18, 15/24, B01J 19/12	A1	(11) International Publication Number: WO 96/31255 (43) International Publication Date: 10 October 1996 (10.10.96)
---	----	--

(21) International Application Number: PCT/GR96/00008

(22) International Filing Date: 22 March 1996 (22.03.96)

(30) Priority Data:
950100143 7 April 1995 (07.04.95) GR

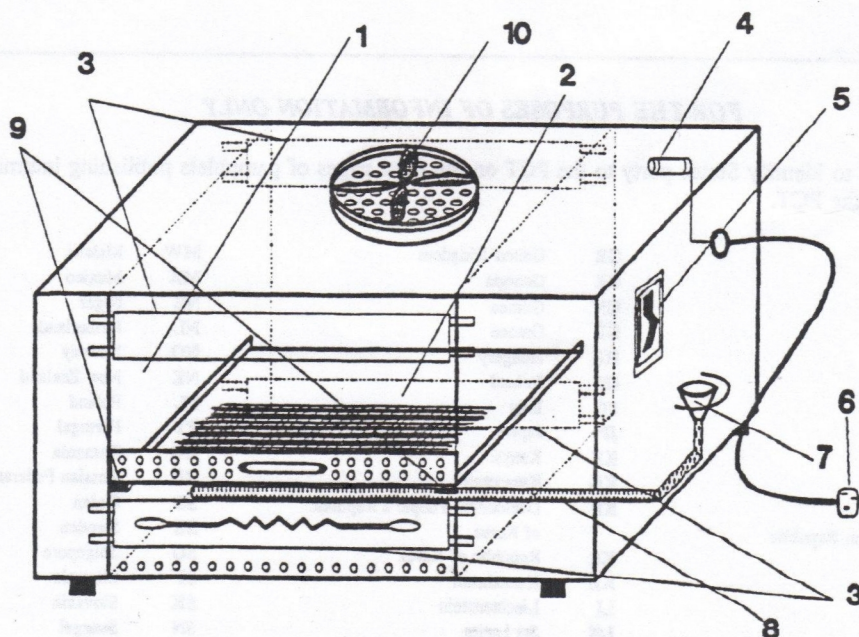
(71)(72) Applicant and Inventor: GIOLVAS, George [GR/GR]; 20 Dimitriouralli Street, Agia Paraskevi, GR-153 42 Athens (GR).

(81) Designated States: AU, BG, BR, CA, CN, CZ, GE, HU, JP, KR, LK, MG, MK, MX, NZ, PL, RO, SK, TR, TT, UA, US, VN, ARIPO patent (KE, LS, MW, SD, SZ, UG), Eurasian patent (AM, AZ, BY, KG, KZ, MD, RU, TJ, TM), European patent (AT, BE, CH, DE, DK, ES, FI, FR, GB, GR, IE, IT, LU, MC, NL, PT, SE).

Published

With international search report.

(54) Title: METHOD AND APPARATUS FOR THE REMOVAL OF HARMFUL CONSTITUENTS FROM CIGARETTES AND TOBACCO BEFORE SMOKING



(57) Abstract

The apparatus for the removal of harmful constituents from cigarettes and tobacco before use, is comprised of a chamber used for heating the cigarettes or tobacco (1), a removable cigarette holder (2), infrared heating elements (3), electrical wiring (4, 5, 6), a small duct for carrying the special liquid (8), a funnel used for topping up the liquid level in the duct (7), and an exhaust fan mounted over a perforated disk (10). The special liquid used for the removal of the harmful constituents from the cigarettes or tobacco has a concentration of about 75 % alcohol (92°), and about 25 % hydrogen peroxide (H₂O₂), evaporates under heating and passes through the cigarettes or tobacco carrying with it all the harmful constituents.